

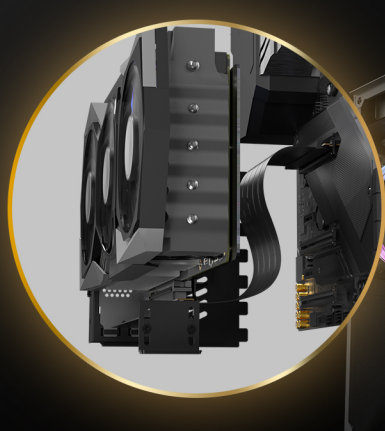
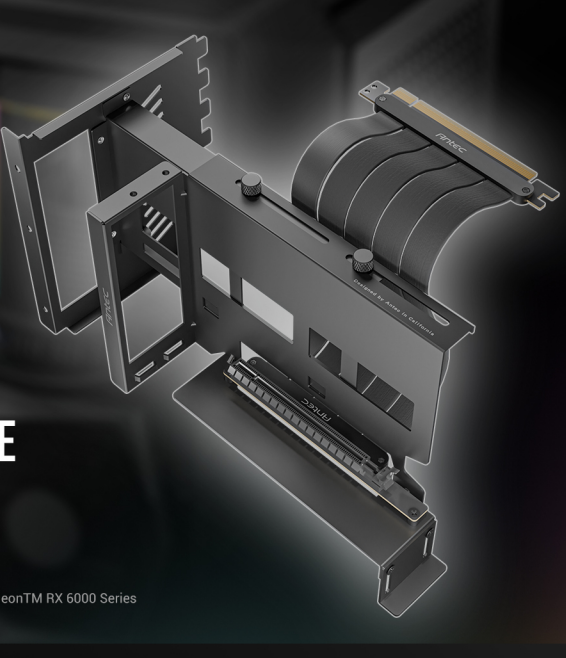
Antec

ANTEC PCI-E 4.0 RISER CABLE WITH ADJUSTABLE BRACKET

Showcase your GPU by using Antec Gen4 riser cable.

Compatible Antec Cases - ALL STANDARD ATX CHASSIS (P - GAMING - AX SERIES)

Compatible Graphics Cards: NVIDIA GeForce RTX 4060 Ti/4060, RTX 30 Series & AMD Radeon™ RX 6000 Series

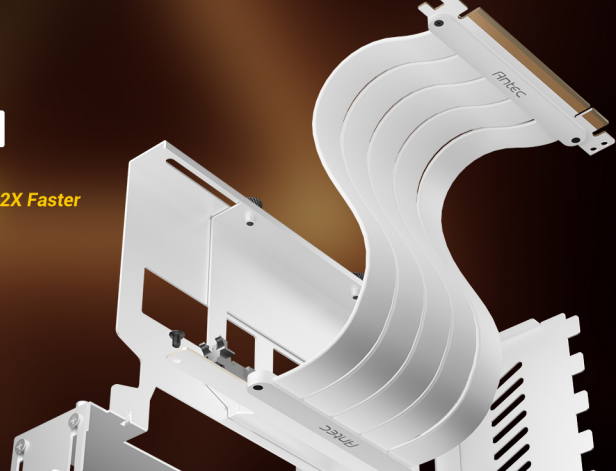


90° GRAPHIC CARD MOUNT

SUPPORT PCIE 4.0

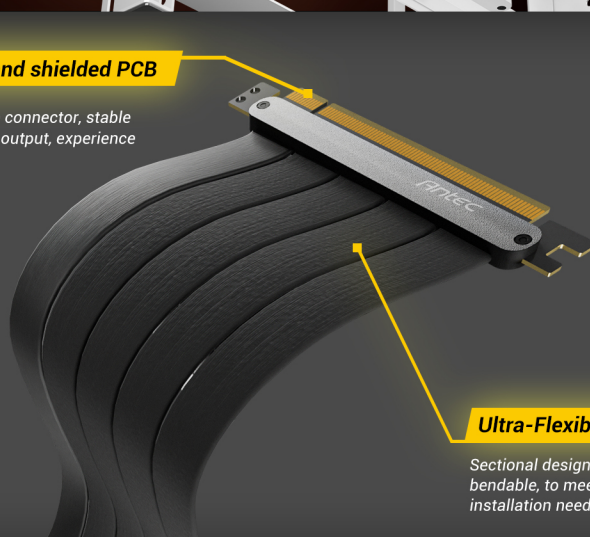
PCI-E 4.0 **2X Faster**

PCI-E 3.0



High quality golden plate and shielded PCB

High shielding PCB and golden plate connector, stable and high performance, FPS lossless output, experience 2x speed from PCIe3.0.



Ultra-Flexible Cable Sleeves

Sectional design cable, soft material, bendable, to meet a variety of installation needs.

COMPATIBLE WITH MOST GRAPHICS CARDS

NVIDIA GEFORCE RTX 4060 TI / 4060

NVIDIA GEFORCE RTX 30 SERIES

AMD RADEON™ RX 6000 SERIES

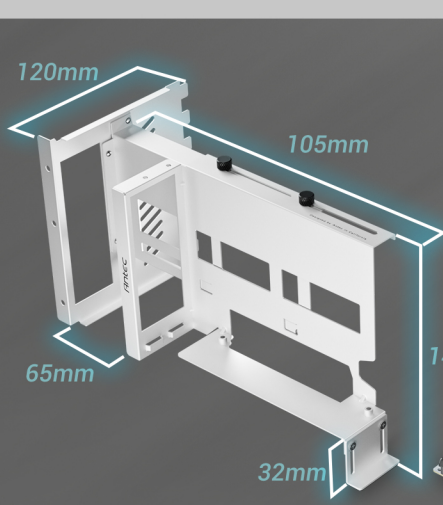
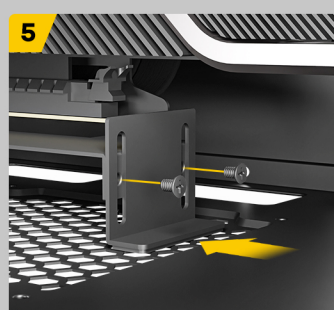
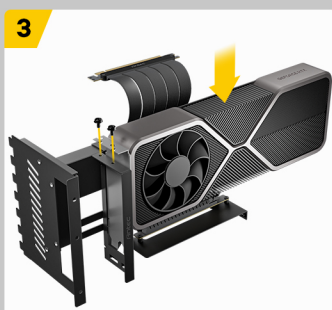
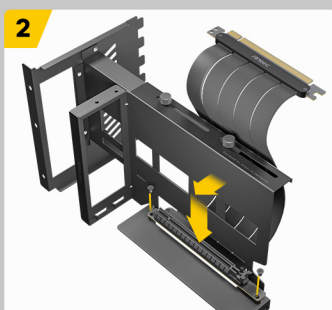


STRETCHABLE DESIGN

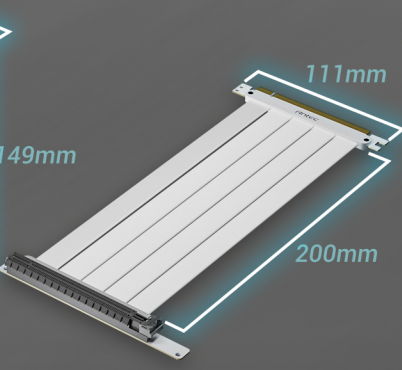
Stretch bracket to suitable length for easy connection.



INSTALLATION GUIDE

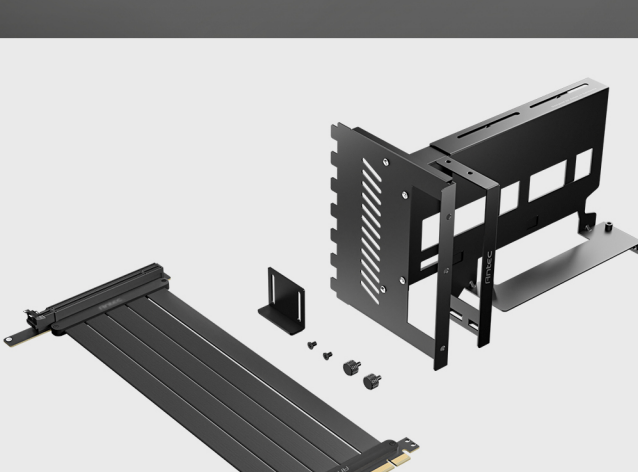


DIMENSIONS



PACKAGE CONTENTS

- PCI-E 4.0 Riser Cable (200mm) X1
- Adjustable VGA Vertical Bracket X1
- L-shaped Support Bracket X1
- Screw Bag X1



Color	Black
Model Name	AT-ARCVB-BK200-PCIE4
Warranty	1 year
UPC#	0-761345-77718-6

Color	White
Model Name	AT-ARCVB-W200-PCIE4
Warranty	1 year
UPC#	0-761345-77719-3

Antec